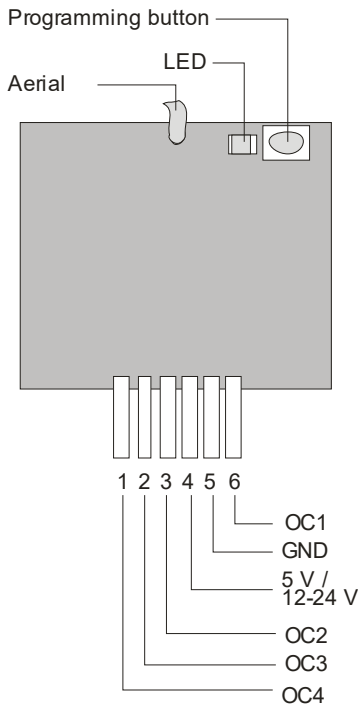


**Connecting**



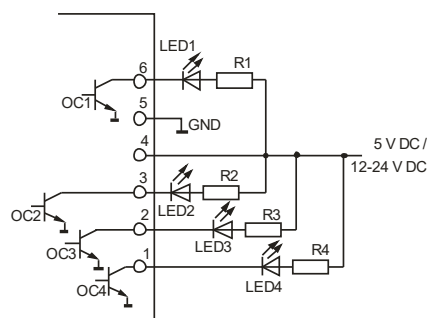
**Models**

<b>RCD14E5004-01</b>	12-24 V	with pin header
<b>RCD14E5004-02</b>	12-24 V	w/o pin header
<b>RCD14E5004-03</b>	5 V	with pin header

**Technical Details**

Frequency:	868.30 MHz
Modulation:	FSK
Power supply:	
RCD14E5004-01/-02:	12-24 V DC
RCD14E5004-03:	5 V DC
Max. current consumption:	
(additionally external load)	
RCD14E5004-01/-02:	24 V DC: 13 mA
RCD14E5004-03:	5 V DC: 11 mA
Output:	4 x Open collector (OC1-OC4)
Codierung:	Operating mode 1: Easywave A/B = Output OC1 Easywave C/D = Output OC3 Operating mode 2 and 3: Easywave A = Output OC1 Easywave B = Output OC2 Easywave C = Output OC3 Easywave D = Output OC4
Max. contact rating:	
RCD14E5004-01/-02:	24 V / 30 mA
RCD14E5004-03:	5 V / 50 mA
Operating temperature:	-20°C to +60°C

**Example of circuit**



**Intended Use**

This unit may only be used as a radio control system for low-voltage applications!  
The manufacturer shall not be liable for any damage caused by improper or non-intended use!

**Safety Advice**

Carefully read through these instructions before connecting and operating the unit!  
Do not make any unauthorized alterations or modifications to the unit!  
The relay contact is only suitable for a single-phase power supply!

**Programming and Operating Modes**

There are three operating modes. The different modes are displayed by different LED flashings.

Operating Mode	LED Flashing
BA1 ON/OFF (2 button operation) OC1=ON/OFF (A/B) OC3=ON/OFF (C/D)	
BA2 ON/OFF Toggle (1 button operation) and Dead Man's Mode (1 button operation: You must press the button longer as 1,6 seconds) OC1 - OC4 = A/B/C/D	
BA3 Dead Man's Mode (max. 36 seconds) OC1 - OC4 = A/B/C/D	

Change the operating mode by briefly (< 1.6 sec.) pressing the programming button:  
BA1 → BA2 → BA 3 → Operating mode → BA1 → BA2 → BA 3 → Operating mode ...

**Memorizing the Transmission Codes**

In the "Memorizing the Transmission Codes" mode you can transfer the codes of your transmitter to the receiver.  
**Note:** Generally you only have to transfer the code of one button per transmitter. The code of the opposite transmitter buttons will be assigned automatically.  
1. Briefly (< 1.6 sec.) press the programming button. The actually operating mode is activated. The LED will flash accordingly. Select the desired operating mode.  
2. Press and hold the transmitter button, with which you wish to switch the device. If the code has been memorized, the LED lights up for approx. 4 sec. and then flashes again. Release the transmitter button.  
3. Repeat the programming procedure for the other transmitters. The unit can memorize up to 32 transmission codes.  
4. By briefly pressing the programming button, you can return to the operating mode (see "Programming and Operating Modes").  
**Note:** In case of longer power failure programming remains.

**Deleting Specific Codes**

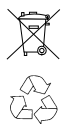
In the "Specific delete" mode you can delete specific transmitter codes.  
1. Keep the programming button pressed for more than 1.6 sec. The delete mode is activated. The LED flashes rapidly.  
2. Press the selected transmitter button. If the LED of the radio control lights up for approx. 4 sec., the transmission code has been deleted.  
**Note:** By briefly pressing the programming button, you can abort the delete procedure.

**Deleting Codes Completely (Reset)**

In the "Reset" mode you can delete all the memorized codes.  
1. Keep the programming button pressed for more than 1.6 sec. The delete mode is activated. The LED flashes rapidly.  
2. Press the programming button again and keep it pressed for more than 1.6 sec. If the LED lights up for approx. 4 sec., all the memorized codes have been deleted.  
**Note:** By briefly pressing the programming button, you can abort the delete procedure.

**Disposal**

**Waste electrical products should not be disposed of with household waste!**  
Dispose of the waste product via a collection point for electronic scrap or via your specialist dealer.  
Put the packaging material into a container for cardboard and paper.



**Warranty**

Within the statutory warranty period we undertake to rectify free of charge by repair or replacement any product defects arising from material or production faults.  
Any unauthorized tampering with, or modifications to, the product shall render this warranty null and void.

**Conformity**

Hereby, ELDAT Eas GmbH declares that the radio equipment type RCD14 is in compliance with Directive 2014/53/EU.   
The full text of the EU declaration of conformity is available at the following internet address: [www.eldat.de](http://www.eldat.de)

**Customer Service**

If, despite correct handling, faults or malfunctions occur or if the product was damaged, please contact the company at the address below:

**ELDAT Eas GmbH**  
Schmiedestraße 2  
15745 Wildau  
Germany  
Phone: + 49 (0) 33 75 / 90 37-310  
Telefax: + 49 (0) 33 75 / 90 37-90  
Internet: [www.eldat.de](http://www.eldat.de)  
e-Mail: [info@eldat.de](mailto:info@eldat.de)