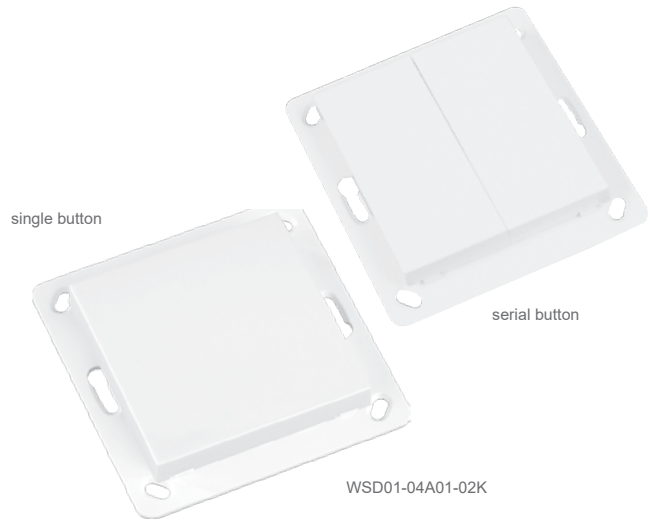


WSD01 DALI wall switch Format 55

The WSD01 DALI wall switch allows up to four DALI functions to be activated via the DALI bus.

A maximum of 4 DALI devices or DALI groups can be addressed here by using one-button modes. The number is reduced to two addresses or groups if two-button modes are used.

The set-up cable and programming adapter are required for configuration. The button is factory-configured for use with two rocker switches. Both rocker switches activate the “DIM 2-button operation” function. The left rocker activates all devices found in the bus (Broadcast) and the right rocker controls the DALI device with address 0.



Technical specifications

Channels	max. 4
Power supply	DALI bus voltage 11,5 to 20,5 V DC
Operating modes	DIM (1- and 2-button operation) ON/OFF (1- and 2-button operation) DEAD MAN (1-button operation) open SCENE SKIP through scenes fixed dimming value
Power consumption	17 mA
Operating temperature	-20 °C to +60 °C
Dimensions	button: 55 x 55 x 9 mm or buttons: 27 x 55 x 9 mm mounting plate: 71 x 71 x 1.5 mm For cover frames with a cut-out dimension of 55 x 55 mm produced by various manufacturers (see compatibility list on p.29).
Weight	30 g
Color	white similar to RAL 9003

Scope of delivery

- DALI module
- Mounting plate
- 3 buttons
- Mounting kit
- Operating manual

Accessories (optional)

RGD-ACC-01-00K	startup cable, lenght 3 m, incl. programming adapter
WSD01-ACC-01-EP	programming adapter for RGD-ACC-01-00K
RTS22-ACC-01-01P	Mounting plate, white
RTS22-ACC-02-02P	1x single button ON/OFF, wh
RTS22-ACC-02-24P	1x single button ON/OFF, ac
RTS22-ACC-02-25P	1x single button ON/OFF, alu
RTS23-ACC-01-02P2	2x serial button ON/OFF, wh
RTS23-ACC-01-24P2	2x serial button ON/OFF, ac
RTS23-ACC-01-25P2	2x serial button ON/OFF, alu

Models

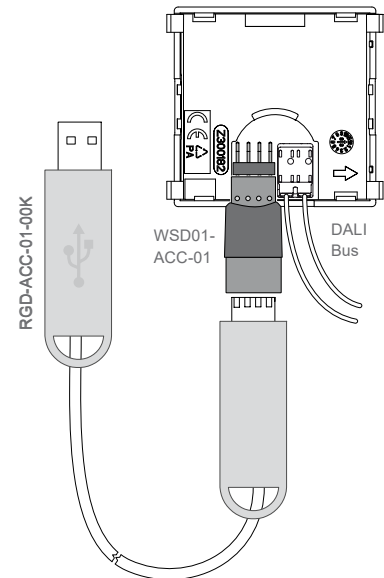
Product numbers

WSD01-04A01-02K

Description

Wall switch DALI Format 55 4-channel, white

Wiring diagram



WSD01 configurator