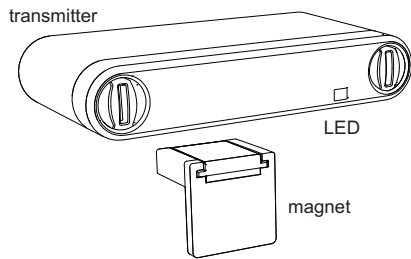


Model



RTS16E5001-01	ON/OFF Status
RTS16E5001-02	OFF/ON Status

Technical Details

Frequency:	868.3 MHz
Radiated power:	0.07 mW
Modulation:	FSK
Coding:	Easywave A/B
Power supply:	1x 3-V-battery, CR2032
Current Consumption:	1.6 µA
Operating temperature:	-20 °C to +60 °C
Range:	free-field: approx. 150 m buildings: approx. 30 m
Dimensions:	Transmitter: 65x12x28 mm Magnet: 18x18x13 mm
Weight:	Transmitter: 20.6 g Magnet: 2.2 g

Scope of Delivery

Radio Window Contact Sensor RTS16, battery CR2032, angle incl. magnet, attachment set, operating instruction

Intended Use

Only use the Radio Window Contact Sensor RTS16 to switch Easywave receivers. The manufacturer shall not be liable for any damage caused by improper or non-intended use.

Safety Advice



Before using the Radio Window Contact, carefully read through the operating instructions!

Also note the operating instructions of the receiver(s)!

Have faulty Radio Window Contact checked by the manufacturer!

Do not make any unauthorized alterations or modifications to the Radio Window Contact!

Keep the batteries out of the reach of children!

Function

The Radio Window Contact RTS16 STATUS can be used for monitoring the status of windows, doors and gates. Any change of the status is transmitted via radio telegram and moreover, is signaled by a two-coloured LED.

There are two different versions, related to the functionality:

ON/OFF (RTS16E5001-01): When the contact is opened, an ON signal (Easywave code A) is transmitted. When closing the contact an OFF signal (Easywave code B) is transmitted.

OFF/ON (RTS16E5001-02): When the contact is opened, an OFF signal (Easywave code B) is transmitted. When closing the contact an ON signal (Easywave code A) is transmitted.

The status signal is identical for both versions of the RTS16. In case that the status of the monitored object does not change for longer periods, a status signal is transmitted 1x every 24 hours, containing the respective status message (ON or OFF). Moreover, the signal is repeated after 10 seconds for reasons of transmission reliability.

The RTS16 contains an internal battery control function. As soon as the battery capacity is weak, a signal "Battery Low" is transmitted in addition to the status signal. Those "Battery low" signal can be utilized by specific Easywave receivers. For more information please refer to the manual of the corresponding receiver device.

Start-Up

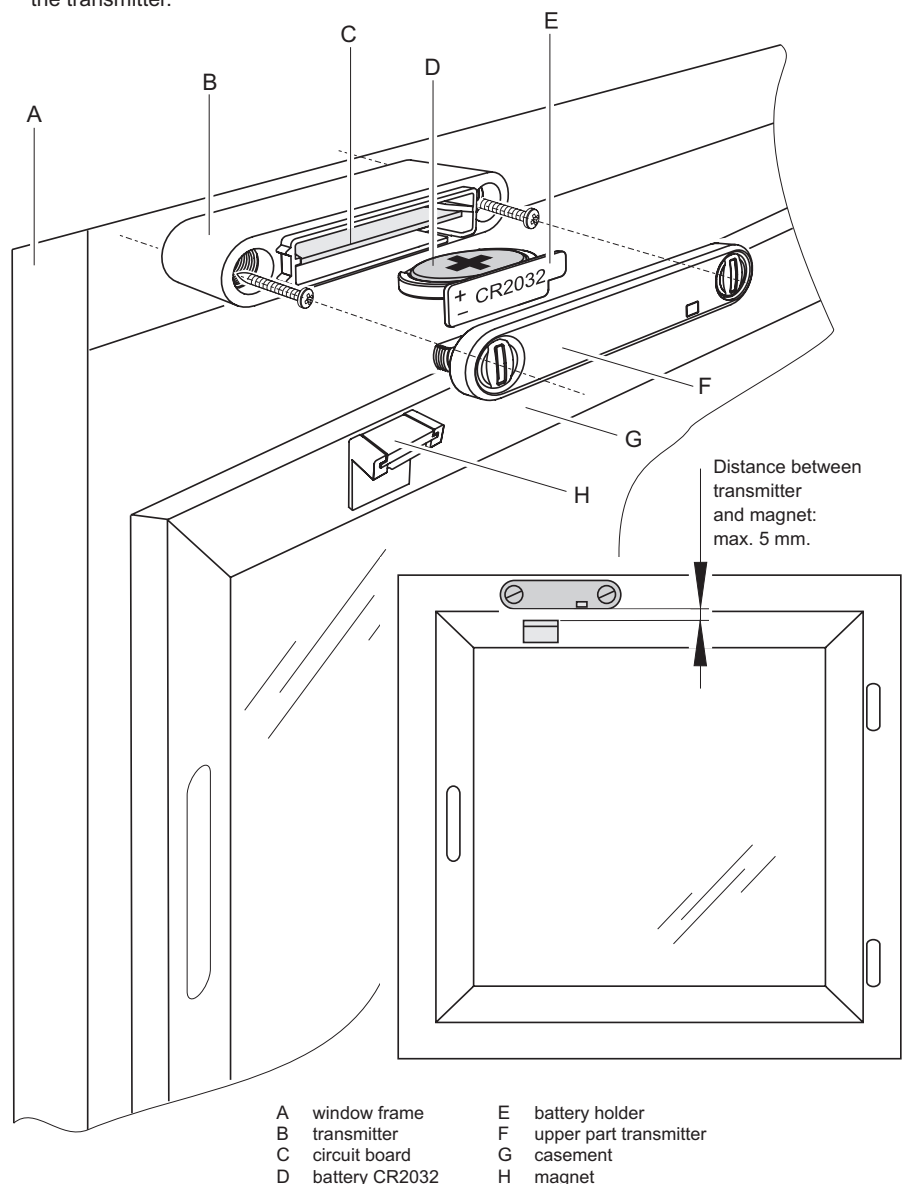
1. Unscrew the transmitter upper part.
2. Insert the enclosed battery into the battery holder. The positive pole must show upward. Slide the battery holder between battery clip and circuit board into the transmitter.

3. Memorize the transmission code in the receivers. Prepare the receiver for the programming (see operating instruction of the receiver). Touch with the magnet at the contact area of the transmitter (broken framework on the transmitter bottom side). The transmission procedure is released and the transmission code is transferred to the receiver.

4. Fasten the transmitter with the enclosed screws or stick pads to the assembly site (e.g. door or window frame). Screw the transmitter upper part on again.

Caution: Make sure there is no interference with the wireless connection. Do not mount the device in a distribution box, in metal casings, in direct proximity to large metal objects, on the floor or close to it.

5. Stick the magnet opposite the contact area marked on the transmitter bottom side on the door and/or casement. The distance between magnet and transmitter may be max. 5 mm.



A	window frame	E	battery holder
B	transmitter	F	upper part transmitter
C	circuit board	G	casement
D	battery CR2032	H	magnet

Controlling the Battery

The battery voltage is monitored cyclically.:

- at each change of state (transmission of the status signal);
- at least 1x every 24 hours after the last transmission of a status signal.

As soon as a weak battery is recognized, a signal „Battery Low" as well as the status signal are transmitted at least 1x every 4 hours.

Once the battery is discharged, the red LED flashes 3x shortly in an interval of about 20 seconds and it will be sent an undervoltage telegram automatically. Please exchange the battery now. (see „Replacing the Battery").

If the voltage drops further, the window contact sensor switches off, and no state changes will be sent to the receiver anymore.

Replacing the Battery

1. Unscrew the upper part of the transmitter.
2. Pull the battery holder out at the latch and replace the battery. Only use batteries of the type CR2032.

Make sure the poling is correct. The positive pole has to be visible!

3. Screw back the upper part of the transmitter.

Note: The coding of the transmitter is preserved even if there is no voltage supply. You do not need to memorize the code in the receivers again after a battery change.

Trouble Shooting

If the radio receiver does not react to the transmitter:

- Check the condition of the battery.
- Check that the wireless connection at the installation site is not impaired between the transmitter and the receiver.
- Memorize the transmission code in the receiver.
- Other wireless devices using the same frequency or working in direct proximity may interfere with the device.

Disposal

Waste electrical products and batteries not be disposed of with household waste!

Dispose of the waste product via a collection point for electronic scrap or via your specialist dealer.

Dispose of used batteries in a recycling bin for batteries or via the specialist trade.

Put the packaging material into the recycling bins for cardboard, paper and plastics.



Warranty

Within the statutory warranty period we undertake to rectify free of charge by repair or replacement any product defects arising from material or production faults.

Any unauthorized tampering with, or modifications to, the product shall render this warranty null and void.

Conformity



Hereby, ELDAT EaS GmbH declares that the radio equipment type RTS16 is in compliance with Directive 2014/53/EU.

The full text of the EU declaration of conformity is available at the following internet address: www.eldat.de

Service

If, despite correct handling, faults or malfunctions occur or if the product was damaged, please contact your retailer or the manufacturer.

ELDAT EaS GmbH

Schmiedestraße 2

15745 Wildau

Germany

Phone: + 49 (0) 33 75 / 90 37-310

Fax: + 49 (0) 33 75 / 90 37-90

Internet: www.eldat.de

E-Mail: info@eldat.de