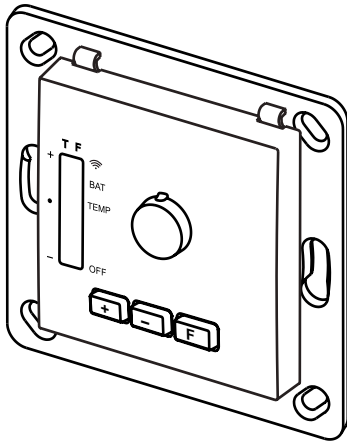


Model



Function

The ST02 temperature sensor is a battery-powered wireless thermostat designed for indoor use. Detected differences between measured values and a configured set point temperature are sent via Easywave wireless telegram to the wireless receiver connected to a cooling system. This enables wireless temperature control in a range of 14°C to 25°C.

If the measured temperature is above the configured set point, the receiver is activated (Easywave code A). If the current value is below the configured set point, the receiver is deactivated (Easywave code B).

All current telegrams are resent at four-hour intervals to prevent emergency mode from being triggered in the relevant receivers (e.g. RCJ15 and RCP15).

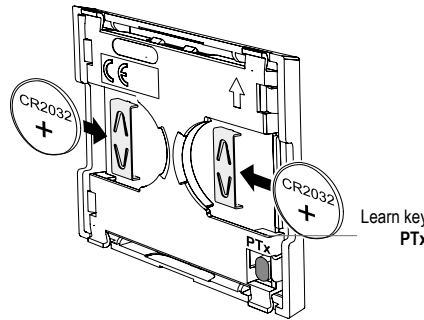
The sensor can be mounted in most cover frames with cut-out dimensions of 55x55mm.

Preparing for use

1. Inserting batteries

Insert the enclosed batteries into the transmitter modules.

**Ensure that the terminals are correctly inserted!
The positive terminal must be visible!**



2. Programming the sensor into the receiver and selecting the temperature

1. Set the receiver to learning mode. Please read the operating instructions for the receiver for more information on this.

2. Press the button **+** or **-** on the temperature sensor. Easywave code A (+) or B (-) is sent, for which the sensor must be in operating mode and the LEDs must be off.

→ The wireless symbol on the sensor lights up briefly, and the transmitter code has been programmed into the receiver.

3. Press **+** or **-** key again to set the temperature set point value.

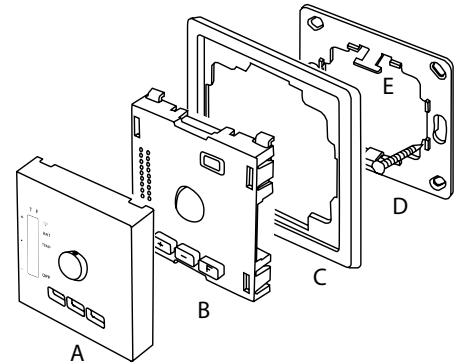
→ Do not press any of the keys for 10 seconds. The sensor switches to operating mode, the configured set point value is saved and the LEDs are off.

3. Mounting the sensor

1. Screw or glue the mounting plate (D) at the mounting location.

2. Place the cover frame (C, not included with the device) onto the mounting plate (D).

3. Place the cover (A) onto the transmitter module (B) and lock into place using the clip (E).



ST02E5001-01

Technical data

Frequency:	868.30 MHz
Radiated power:	4.47 mW
Modulation:	FSK
Coding:	Easywave
Range:	
Outdoors	approx. 150 m
Indoors	approx. 30 m
Operating temperature:	-20 °C to +40 °C
Normal operating range:	approx. +14 °C to +25 °C
Measurement cycle:	1x a minute
Power supply:	2x 3 V batteries, CR2032
Dimensions:	Format 55
Cover	55 x 55 x 16 mm
Plate	71 x 71 x 1.5 mm
Weight:	28 g

Scope of delivery

Transmitter module, 2x CR2032 batteries, cover, mounting plate, attachment set, operating instructions

Intended use

The device must only be used to control Easywave wireless receivers.

The manufacturer is not liable for any damage caused by improper or unintended use!

Safety information



Before connecting this product, please read these instructions carefully!

Please also note the operating instructions of the wireless receivers. Do not perform unauthorised modifications to the device!

Have any malfunctioning devices inspected by the manufacturer.

Keep batteries out of the reach of children.

Quick guide

Temperature configuration (T)

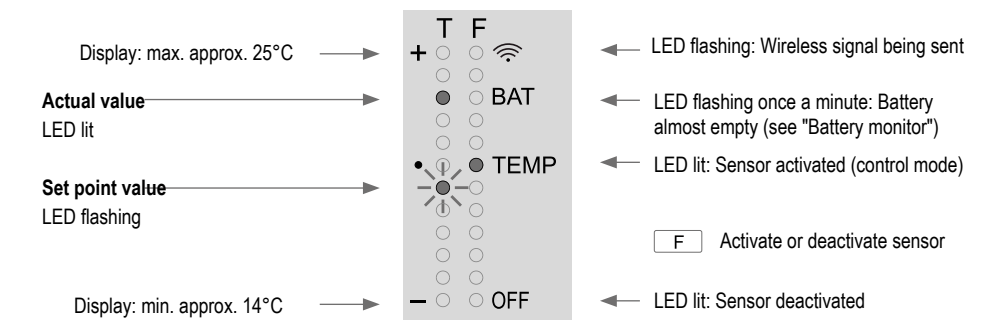
Key

- +** Selecting the set point temperature
- (Only in control mode, LED TEMP must be lit.)

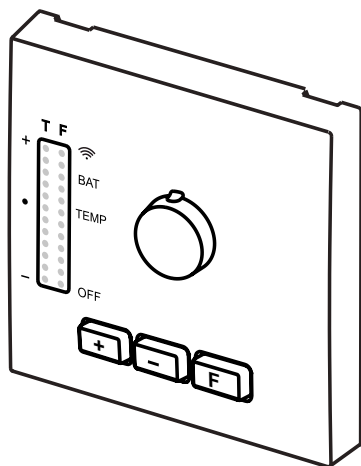
Function configuration (F)

Key

- F** Display temperature values and sensor status



Programming



- F** Key F: activate/deactivate status display or sensor
Switch from control mode to OFF, Easywave code B (OFF) is sent.
LED F: display status
- +** Key +: increase set point value
Easywave code A is sent
LED T: Display temperature values
- Key -: decrease set point value
Easywave code B is sent
LED T: display temperature values

Remote learning function

The ST02 has a remote learning function. By pressing the learn key **PTx**, a receiver can also be wirelessly set to learn/deletion mode while installed. Please refer to the relevant operating instructions to determine if a given receiver supports this function.

Battery monitor

The ST02 has a battery monitor function that monitors the charge state of the battery during transmission.

If the battery charge is low, the battery display will flash briefly once a minute. At this point you should change the batteries.

Once transmission is complete, a "low voltage" telegram will automatically be sent. This telegram can be interpreted by supported Easywave receivers. For more information on this, please refer to the operating instructions of the corresponding receiver.

General information

Disposal

Waste electronic equipment and batteries must not be disposed of with household waste!

Dispose of the waste equipment via collection facilities for electronic scrap or via your specialist dealer.

Dispose of waste batteries in a disposal container for waste batteries or via your specialist retailer.

Dispose of packaging material in the recycling bins for cardboard, paper and plastic.



Operate [Press key]	Display	Remarks
Program sensor into receiver Sensor must be in operating mode ¹⁾!		
Key + or Key -	LED F wireless symbol lights up briefly	Easywave code A is sent. Sensor is in configuration mode for 10 seconds, the set point value can be configured. 10 seconds after the final key has been pressed, the sensor switches to operating mode ¹⁾ .
	LED F wireless symbol lights up briefly	Easywave code B is sent. Sensor is in configuration mode for 10 seconds, the set point value can be configured. 10 seconds after the final key has been pressed, the sensor switches to operating mode ¹⁾ .
Configuring / modifying set point value		
1. Key F	LED F TEMP lights up LED T current value lit LED T set point value flashing	Sensor is in control mode. If LED OFF is lit, the sensor is deactivated. Press the F key to switch to control mode.
Select set point value	2. Key +/-	LED T current value lit LED T new set point value flashing
		10 seconds after the final key has been pressed, the sensor switches to operating mode ¹⁾ . The selected value is saved and sent in accordance with the current configuration (code A (ON) or code B (OFF)). Each telegram is sent again every four hours to prevent emergency mode from being triggered in the RCP15/RCJ15 receivers.
Activate/deactivate sensor Sensor must be in operating mode ¹⁾!		
1. Key F	LED TEMP lights up or LED OFF lights up	Value selection possible, controller activated. Sensor deactivated, controller deactivated. The status signal code B (OFF) is sent every four hours to prevent emergency mode from being triggered in the RCP15/RCJ15 receivers.
2. Key F		Switch between control mode and OFF

¹⁾ Operating mode: All LEDs are off

Troubleshooting

If the receiver does not react to the sensor:

- Replace the batteries if necessary.
- Check that there is an unhindered wireless connection between the sensor and receiver at the installation location.
- Reprogram the sensor into the receiver if necessary.
- Other wireless products that use the same frequency and operate in the immediate vicinity may cause interference.

Temperature changes are not promptly indicated:

- One-minute measurement cycle is not complete.
- Where there are severe changes in temperature, the reaction of the sensor materials to the temperature will cause the display of the actual temperature to be delayed.

Warranty

Within the statutory warranty period, we undertake to rectify free of charge by way of repair or replacement any product defects arising from material or production faults.

Any unauthorised tampering or modifications will render this warranty null and void.

Conformity

Hereby, ELDAT Eas GmbH declares that the radio equipment type ST02 is in compliance with Directive 2014/53/EU.

The full text of the EU declaration of conformity is available at the following internet address: www.eldat.de



Customer service

If, despite proper handling, the device does not work properly or if the device has been damaged, please contact the manufacturer or your retailer:

ELDAT Eas GmbH

Schmiedestraße 2

15745 Wildau

Germany

Phone: + 49 (0) 33 75 / 90 37-310

Fax: + 49 (0) 33 75 / 90 37-90

Internet: www.eldat.de

Email: info@eldat.de